

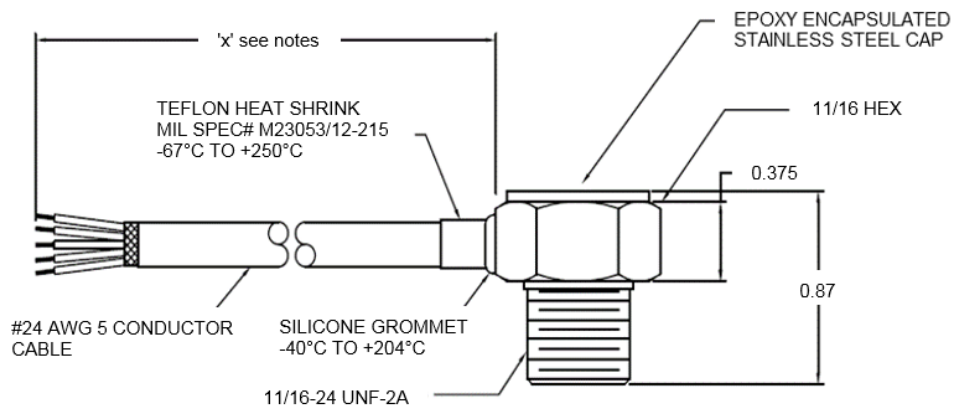
## PRODUCT DESCRIPTION

TrigasDM RF pickups are based on the modulated carrier principle for Near Zero Speed performance with no Magnetic Drag, resulting in extended flow range performance. RF sensors produce modulation of a carrier signal whose frequency is identical to the frequency of the excitation due to a passing target (turbine flowmeter rotor).

The movement of the rotor in the turbine is received by the pickoff. Every movement of the blade is an incoming pulse. This is forwarded as a frequency to the electronics. The electronic converts the measured physical quantity (rotor movement) into a linearized analog electrical and frequency signal for computing and/or further processing.

An internal temperature probe (RTD100) is positioned near the face of the sensor.

COLOR	WIRE DISCIPTION
WHT	RF OUTPUT
BLK	RF OUTPUT
RED	RTD
GRN	RTD (Measure Grn to Red)
YEL	RTD (Measure Yel to Red)



## PRODUCT SPECIFICATIONS

**DC-Coil Resistance:** 10.5Ω ± 10%

**Inductance:** 1mH ±10%

**I.R Leakage:** 100MΩ @ 1000VDC

**Operating Freq.:** ≥ 0.5 to ≤ 6000 Hz

**Temperature Sensor:** PT100 - RTD (3wire)

**Temperature Range:** -55°C to +177°C

**Cable Length 'x':** x Meter

**Connectors:** ODU 7-pin (Pict. Showing Flying Leads)

**Construction:** 300 Series Stainless Steel Solid Epoxy Encapsulation

**Sensor Face:** Epoxy sealed face / Open front construction

**CE-Compliance:** EN55011, EN50022-2