

Trigas DM

Durchflussmesser-Manufaktur

TrigasDM GmbH
Erdinger Str. 2b
85375 Neufahrn
Germany

www.trigasdm.com
Tel.: +49-8165-9999 300
Fax: +49-8165-9999 329
info@trigasdm.com

DATASHEET

TriClick Gasmixer

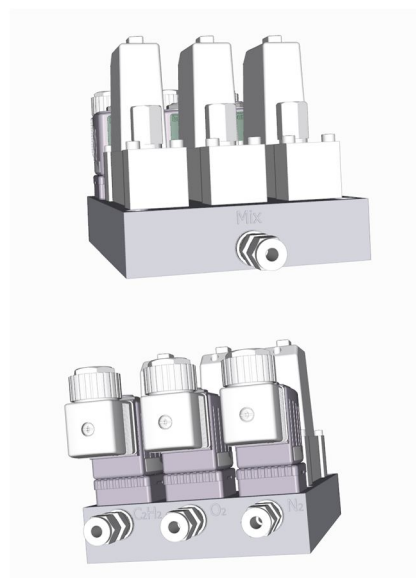
PRODUCT DESCRIPTION

TrigasDM TriClick Series gas mixers are the result of many years of experience and development with gas mixing systems. Reproducibility and long-term stability are key features of the newest generation.

The highlight of our gas mixing system is the integrated multi-drop RS-232 connectivity and the supplied software Flow Vision MX™ that can be used for gas mixing with up to 6 mass flow controllers within the mixing station.

The system consists of a mixing block, solenoid valves and mass flow controllers. Often, only the mounting of the flow meters onto the mixing block is desired. For the programming and control of the system a separate programmable controller can also be used, which makes the system even more modular and easier to adapt.

The automated system utilizes top-notch technology to ensure the accuracy and repeatability required even by the most demanding applications.



PRODUCT SPECIFICATION

- Measuring principle: Differential Pressure
- Connections: front connector: ¼ " | rear connector: ½" Swagelok
- Flow ranges: 0 – 20 SLPM
- Accuracy: +/- 0.25% / 0.5% F.S.
- Operating temperature: -10 to +60° Celsius
- Compressive strength: up to 10 bar

PRODUCT ADVANTAGES

- Simple, secure and intuitive user interface and control panel
- Multi-channel gas mixture
- Quick connect and disconnect. No complicated fittings required
- Patented differential pressure-based flow measurement technology.