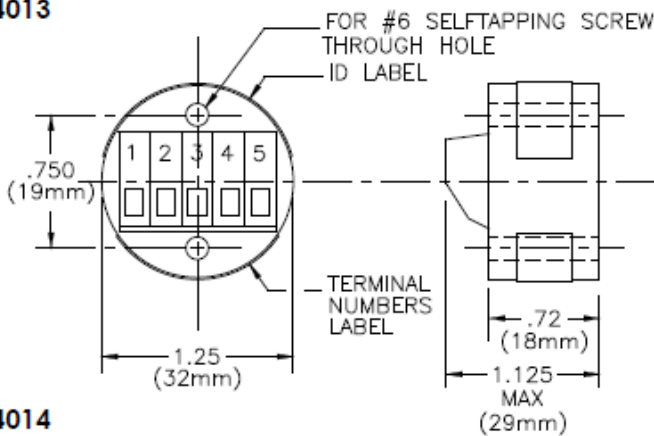


PRODUCT DESCRIPTION

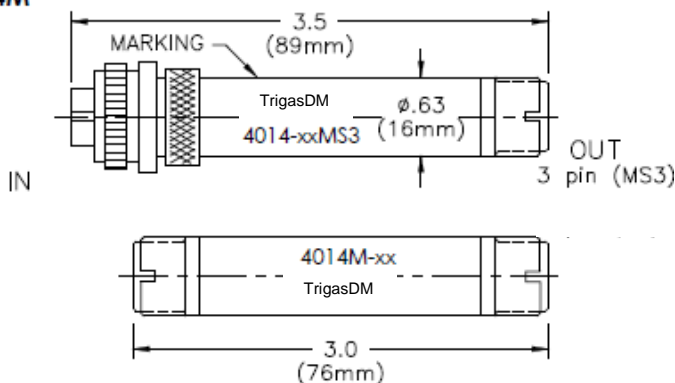
TrigasDM 4013-50 (PUK) & 4014-50 family of preamps are designed to work with all RF (modulated carrier) pickups. They provide for remote signal conditioning and signal amplification, which allows for signal detection over a wide temperature range (from cryogenic to capable of sustaining a wider temperature range than the preamp. The 4013-50 is designed to fit into a compact Y1 explosion proof junction box. We offer the 4013-50 with various output options to best suit specific applications.

For RF pickups with integral preamp refer to PIV family of sensors (for example A01C30).

4013



4014 4014M



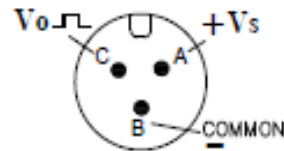
TERMINAL/PIN CONNECTIONS

4013: 1. Vs Supply 4. RF Pickup
2. Common 5. RF Pickup
3. Vo Signal Out

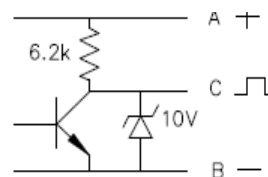
4014: Output Pin Connections

3 Pin (MS3)

Mate MS3106A-10SL-3S



OUTPUT CONFIGURATION



PRODUCT SPECIFICATIONS

RF-Pickup:

DC-Coil Resistance: $12\Omega \pm 10\%$

Inductance: $1\text{mH} \pm 10\%$

Operating Freq.: 0.3 to 6000 Hz

RF-Preamplifier:

Temperature Range: -40°C to $+105^{\circ}\text{C}$

CE-Compliance: EN55011, EN50022-

MODEL VARIATIONS

Supply Voltage Vs	Signal Output Voltage Vo	CODE
11,5 - 30V @ <16mA	0-10V	4013-50 or 4014-50 or 4014M-50